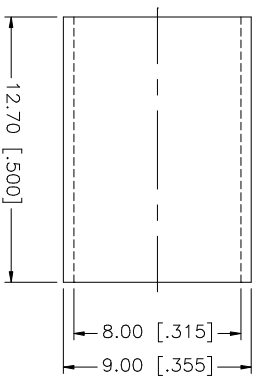
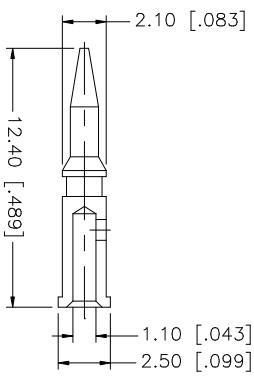
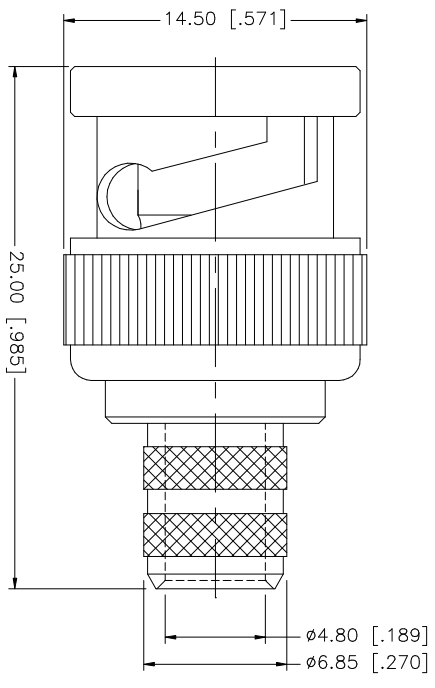
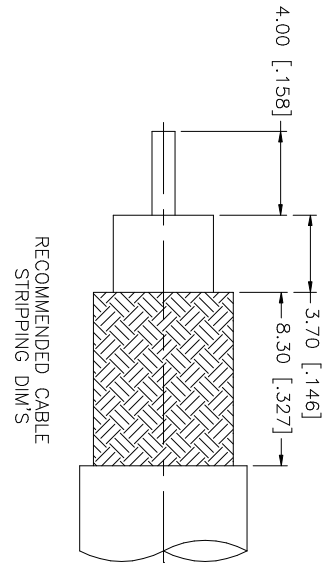


REV.	DATE	DESCRIPTION
A	01/10/04	UPDATE DRAWING FORMAT



8																			
7																			
6																			
5																			
4	FERRULE	COPPER	NICKEL	1															
3	CONTACT PIN	BRASS	GOLD	1															
2	INSULATOR	DELRIN	NATURAL	1															
1	BODY	BRASS	NICKEL	1															
DESCRIPTION		MATERIAL		FINISH		QTY		UNLESS OTHERWISE SPECIFIED DIMENSIONS ARE IN INCHES AND FOR CUSTOMER REFERENCE ONLY. UNLESS OTHERWISE SPECIFIED TOLERANCES FOR MILLIMETERS ARE: 0.5 - 8mm ± 0.20mm 8 - 30mm ± 0.40mm 30 - 120mm ± 0.50mm UNLESS OTHERWISE SPECIFIED TOLERANCES FOR INCHES ARE: .020 - .315 = ± 0.007" .315 - 1.180 = ± 0.015" 1.180 - 4.724 = ± 0.020"		DO NOT SCALE DRAWING		APPROVALS		DATE		PART DESCRIPTION			
								DRAWN G.R.S.		01/10/04				BNC CRIMP PLUG RG-6/U CABLE - 75 ohms					
								CHECKED						ISSUED					
								SHEET 1 OF 1						PART NO. 112508					
								CAD FILE		C:/112/112508.DWG				DWG. NO. 112508.DWG					
														REV. A					
														SIZE A					
														SCALE NA					

Amphenol Connex